

Installation Instructions Model 10, 12, 17, 50, 52, 57, 150, 152, 157, 170, 172, 177

Tools required for installation of your new screen system.

- Pencil
- Step ladder
- Staple gun with minimum 3/8" staples

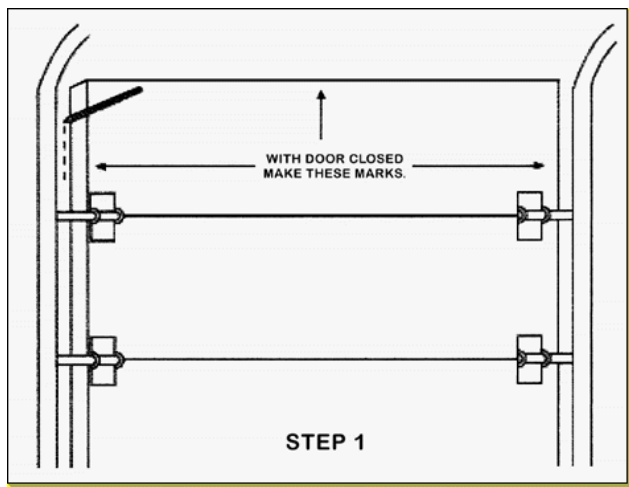
Step 1 Standing on the inside of the garage, with the overhead door closed, place a pencil on the edge of the door and trace the door outline.

Step 2 Open the garage door. Fasten the loop (Velcro) adhesive strip to the door jamb (the loop adhesive should be centered on the pencil line). When removing the plastic back from the adhesive, remove only one foot at a time as you are applying to the door jamb. This will prevent the fastening system from curling. Apply 3/8" staples through the fastener into the door jamb every 3 to 4 inches for additional holding strength. The adhesive is to assist in installation: the staples create the permanent mount. The surface must be clean for the adhesive to properly adhere.

Step 3 Starting at either upper corner, attach the screen to the wall by the hook and loop fastening system, using light hand pressure to ensure contact. Line up the sides and repeat the procedure.

Step 4 Remove and store the Screen, by separating the hook and loop fastening system, when not in use. Closing the garage door while the screen is attached can damage or cut the screen and is not covered under warranty.

Step 5 (Optional): Place a 1/2" conduit (use only 1/2" conduit. larger conduit or other materials will rip out the threads) in the bottom pouch for added weight. Conduit will be required to roll-up the center section of 150 & 170 series doors. * Conduit must not have any sharp edges. Conduit is not supplied with the door but can be purchased at any home center or hardware store.



Optional Outside Mounting: The screen can be mounted on the outside of the door opening. Several things to keep in mind when mounting outside;

- 1.) Exterior openings are not framed the same, it may require some carpentry work to pre-prepare the opening to accept the door.
- 2.) The hook and loop system will break down over time with constant exposure to the sun and weather. Replacement parts are available at 317-846-6750 or online www.doorsales.net
- 3.) Mounting outside voids the warranty on the fastening system.

* Garage Screen is manufactured 2" wider than the garage door to assure proper fit. Bottom pouch has built in sweep that lays on the ground to seal bottom of the opening.

Warranty: Screen warranted to be free from manufacturing defects for a period of 1 year from time of purchase. Misuse or cutting of the screen voids the warranty.

Care and Cleaning: Wash the screen with a mild soap and water. Allow drying prior to storage. Do not wash in a machine or scrub with an abrasive. Make sure that the garage door has no sharp edged that can cut the screen. During installation or removal make sure the screen does not come in contact with any sharp edges.

Thank you for your purchase of the Door Sales Inc. screen door system for garage, porch and patio openings.

The door is designed to provide years of enjoyment. If you have question or comments about Door Sales Inc. products call us at 317-846-6750.

Consumer Warning: The 10, 50, 150 and 170 series screen systems have been engineered to keep insects out. It is not intended as a security wall and will not prevent children from getting out.

Door Sales Inc., PO Box 215, Carmel, IN 46082-0215
317-846-6750 / 317-846-6753 fax / doorsales.net