

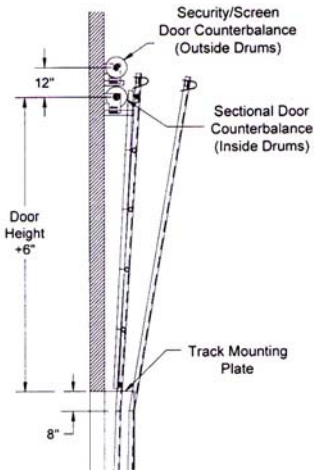
PO Box 215
Carmel, IN 46082-0215
317-846-6750

Fax to: 317-846-6753
E-mail to sales@doorsales.net

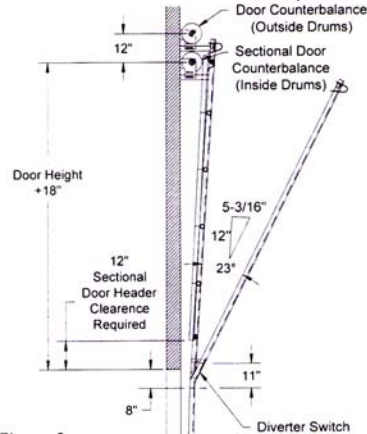
Company: _____
 Address: _____
 City _____ State _____ Zip _____ Country _____
 Phone _____ Fax _____
 Contact Person _____
 E-mail _____

Typical Details Dual Track & Diverter Switch Track

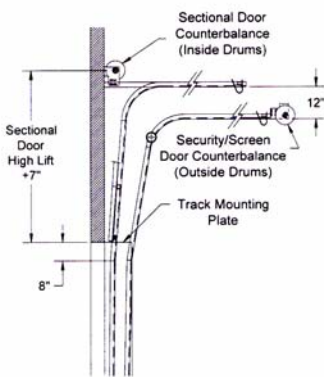
DUAL TRACK VERTICAL LIFT CONFIGURATION



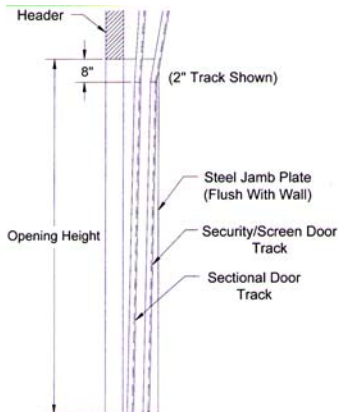
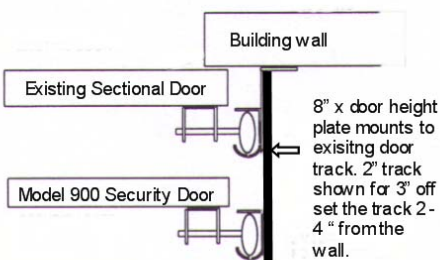
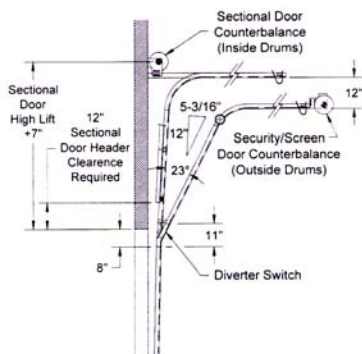
SINGLE TRACK VERTICAL LIFT CONFIGURATION



DUAL TRACK HIGH LIFT CONFIGURATION



SINGLE TRACK HIGH LIFT CONFIGURATION



Job Specifics

Date _____ Page _____ of _____

Job Name or Number: _____

Existing Door Panel Width _____ ft _____ inches

Opening Height _____ ft _____ inches

Select each number by circle or check box

1.) Existing Door Track 2" 3" other

2.) Select lower track set up

Dual Track Select 2" or 3" track for 900 door

Diverter Switch Track - diverter switch track must be same as lower track

3.) Select upper track type

Vertical Lift

High Lift— Amount of Highlift _____ inches of existing door. Screen / Security door will operate 12" below existing door highlift.

4.) Bollards or existing door obstructions

Yes No

If yes distance of bollard to the existing door track _____ Height of the bollard floor to top _____.

5.) Color—Circle one

Gray Yellow White Black Other _____

OPTIONS:

Solid Shaft

Counterbalance

25K 50K 100K Weight Counter Balance

Other:

Installer Notes:

- 1.) No back hang, upper track spacer supports spring mounting material supplied
- 2.) Cables are sent long so the installer can locate springs and drums as needed in the field.
- 3.) Dual track plates will have to be drilled on the job site to align with existing door track.
- 4.) Door is designed and supplied with outside bottom fixtures.
- 5.) Door is designed to be field modified around existing door.