

Door Sales Inc.

Industrial Door Solutions

Dealer Price List for Model 720 Motorized Rolling Screen Door Systems

PO Box 215
Carmel, IN 46082-0215
317-846-6750 fax 317-846-6753
www.doorsales.net 800-839-2293



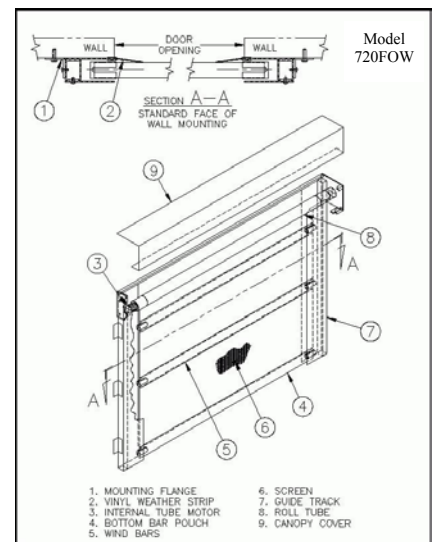
Effective 10/1/05 Prices Subject to Change Without Notice
Freight not included in price—Class 70 shipment

Model 720 Motorized rolling screen doors mount to the exterior of the garage door. The screen mesh is vinyl coated polyester (7 times stronger than conventional fiberglass screen.) available in 14 colors. The frame is constructed of heavy duty (minimum 1/8") steel and powder coated with a hardened exterior finish. The header covers are a full 24 gauge sheet metal and also powder coated to match the frame. Face of wall mounted units ship with the screen, motor and roll tube pre-assembled in the header for easy installation. The header assembly attaches to the door tracks so no additional header support is required. The standard door ships with a quick wire switch.

	Model 720 to 7' high	Model 720 to 8' high	Model 720 to 10' high	Model 720 to 12' high	Model 720 to 14' high
6' wide	754.00	774.00	867.00	982.00	1,215.00
8' wide	776.00	816.00	918.00	1,168.00	1,495.00
9' wide	776.00	816.00	922.00	1,177.00	1,631.00
10' wide	794.00	825.00	967.00	1,310.00	1,775.00
12' wide	822.00	864.00	1,089.00	1,394.00	1,950.00
16' wide	828.00	876.00	1,198.00	1,473.00	2,175.00
18' wide	895.00	933.00	1,352.00	1,664.00	2,245.00
20' wide	955.00	999.00	1,491.00	1,779.00	2,490.00
# of Windbars	2	3	3	4	4
Headroom	8"	8"	8" / 10"	8" / 10"	10"
Side Room (face of wall)	5 1/2" each side	5 1/2" each side	5 1/2" each side	5 1/2" each side	5 1/2" each side

Options Model 720

Radio Control Motor with 1 Transmitter (Takes the place of the quick wire switch)	Add \$259.00
Extra Transmitter for Radio Motor	Add \$78.00
Fast Motor (operates about twice as fast a normal garage door opener)	Add \$250.00
Custom Colors	Call for quote
Custom Header (Wood, Fabric, Etc.)	Call for quote
Between Jamb Mount* (*dealer responsible for exact measurements)	Same price as face of wall
Fiberglass screen in lieu of vinyl mesh	Call for deduct



Door Sales Inc.

Industrial Door Solutions

PO Box 215
 Carmel, IN 46082-0215
 317-846-6750 fax 317-846-6753
 www.doorsales.net 800-839-2293

Effective 10/1/05 Prices Subject to Change Without Notice
 Freight not included in price—Class 70 shipment

Dealer Price List for Model 725 Motorized Rolling Screen Door Systems



Model 725 Motorized rolling screen doors are fully mounted to the interior of the garage door jamb. Completely hidden for view by special mounting hardware. Special mounting allows the garage door to install onto the screen door track. The screen mesh is vinyl coated polyester (7 times stronger than conventional fiberglass screen.) available in 14 colors. The track is constructed of heavy duty (minimum 1/8") steel and powder coated with a hardened exterior finish. The standard door ships with a quick wire switch. Top weather-strip supplied with door system.

	Model 725 to 7' high	Model 725 to 8' high	Model 725 to 10' high	Model 725 to 12' high	Model 725 to 14' high
6' wide	754.00	774.00	867.00	982.00	1,215.00
8' wide	776.00	816.00	918.00	1,168.00	1,495.00
9' wide	776.00	816.00	922.00	1,177.00	1,631.00
10' wide	794.00	825.00	967.00	1,310.00	1,775.00
12' wide	822.00	864.00	1,089.00	1,394.00	1,950.00
16' wide	828.00	876.00	1,198.00	1,473.00	2,175.00
18' wide	895.00	933.00	1,352.00	1,664.00	2,245.00
20' wide	955.00	999.00	1,491.00	1,779.00	2,490.00
# of Windbars	2	3	3	4	4
Headroom	18" to 24"	18" to 24"	24"	24"	24"
Headroom if garage door converted to LHR torsion to rear	12"	12"	16"	16"	16"
Side Room (face of wall)	4" each side	4" each side	4" each side	4" each side	4" each side

Options Model 725

Radio Control Motor with 1 Transmitter (Takes the place of the quick wire switch)	Add \$259.00
Extra Transmitter for Radio Motor	Add \$78.00
Fast Motor (operates about twice as fast a normal garage door opener)	Add \$250.00
Custom Colors	Call for quote
Fiberglass screen in lieu of vinyl mesh	Call for deduct

Professional Garage Door Dealer Installation only.

Model 725 requires modification of the existing garage door. Installation support assumes a working knowledge of garage door parts, terminology and mechanics.